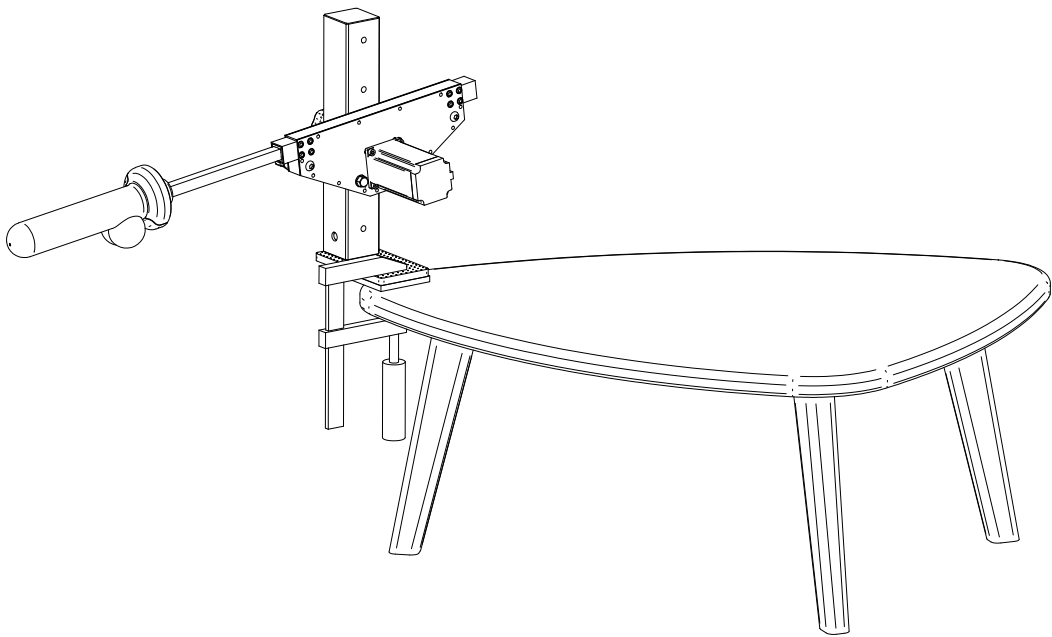


User Manual

LoveMachine42P (LM42P) V5



Author : lm42p.com
Date : December 12, 2021

COPYRIGHT ALL RIGHTS RESERVED

Contents

1	Description of the content	3
2	Fixing the Dildos	13
2.1	King Cock Plus Dual Density Realistic Cock (Pipedream) . . .	13
2.2	“Vac-U-Lock” compatible dildo	15
2.3	Dildo Big balls Pyrex Glass Anal	16
3	Fixing the Mast on different furnitures	17
3.1	On the frame of a bed	17
3.2	On the coffee table	18
3.3	On the Building-Plate	20
4	Installation and adjustment of the LM42P on the Mast	21
5	Start up	23
6	Vibro activation	24
7	Storage after use	24
8	Troubleshooting	24
9	Various useful Videos	24
9.1	Unboxing	24
9.2	Fixing The Dildos	25
9.2.1	"Big balls Pyrex Glass Anal dildo" and "King Cock Plus Dual Density Realistic Cock"	25
9.2.2	Vac-U-Lock Adapter	25
9.3	How To Mount On a Bed Frame	25
9.4	How To Mount On a Coffee Table	25
9.5	Starting Up	25
10	Safety notice	25

1 Description of the content

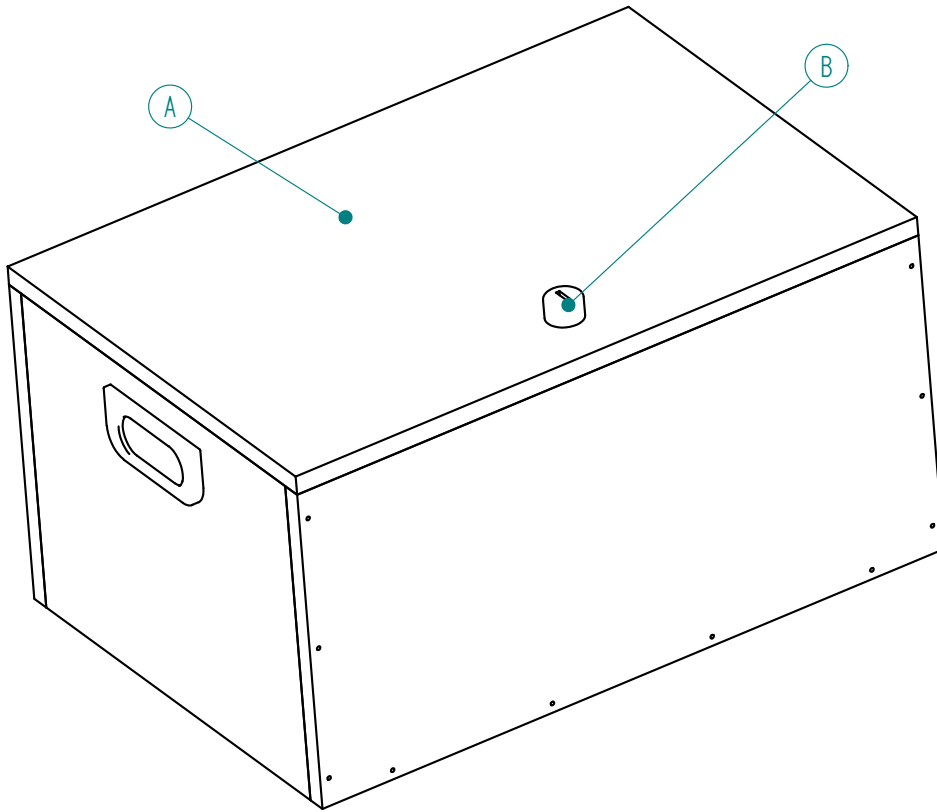


Figure 1: Wooden storage box

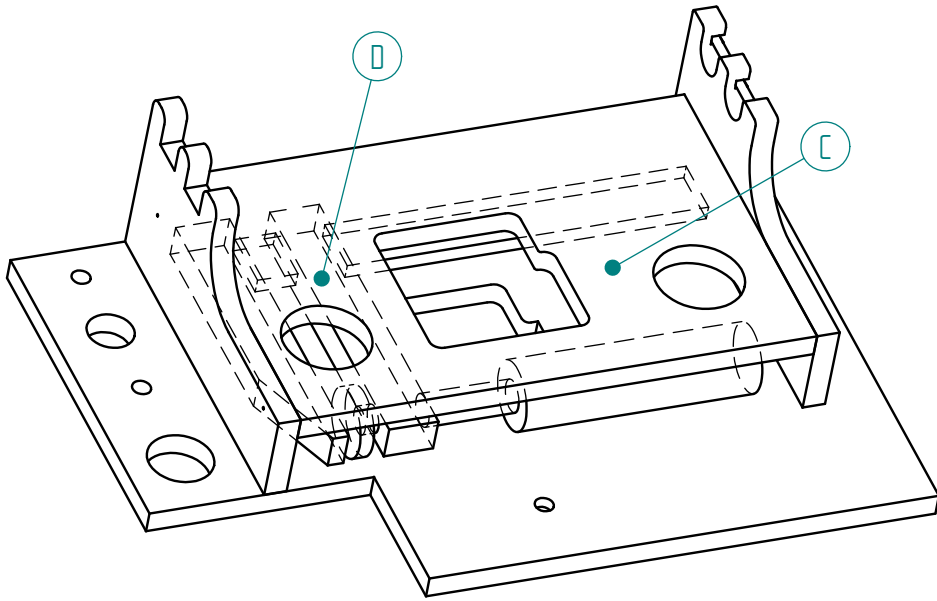


Figure 2: Storage mobile rack and location of the clamp

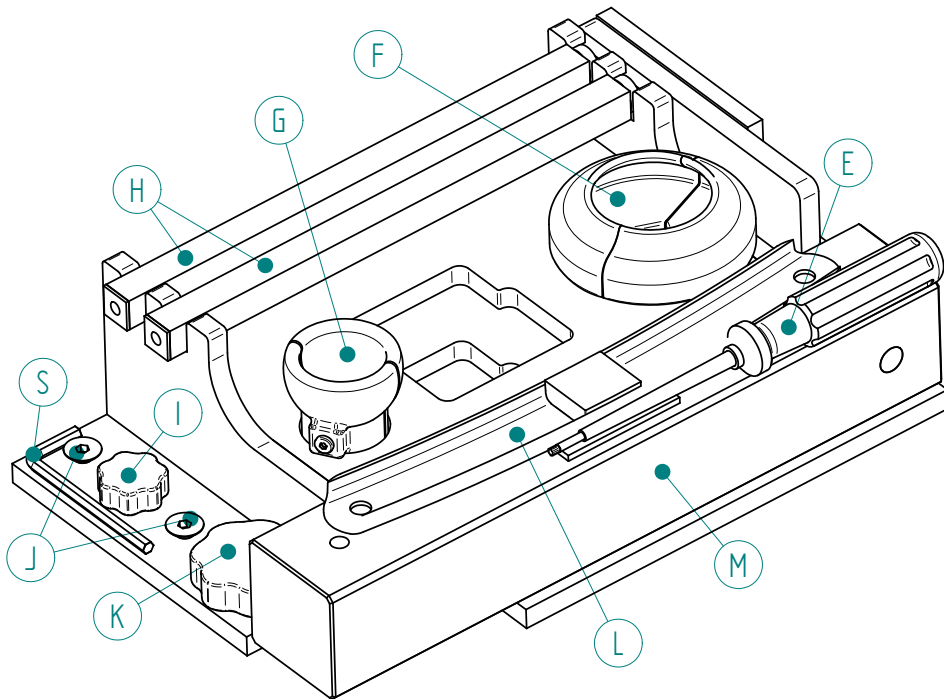


Figure 3: Location of the parts on the mobile rack

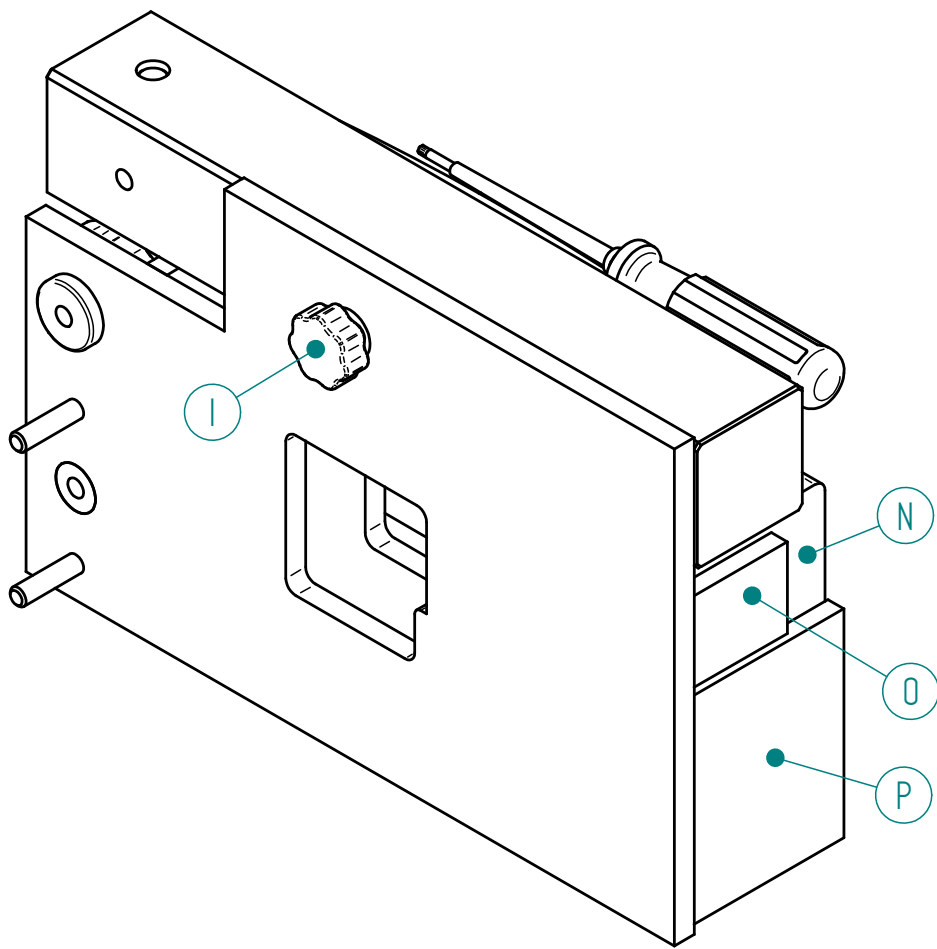


Figure 4: Location of the parts on the mobile rack (bottom view)

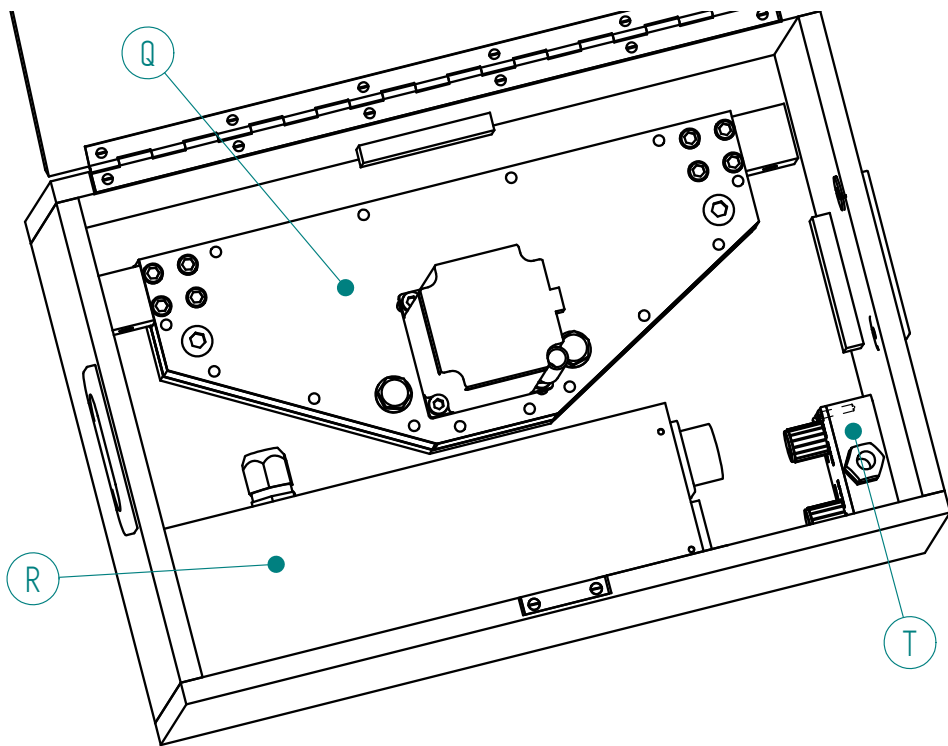
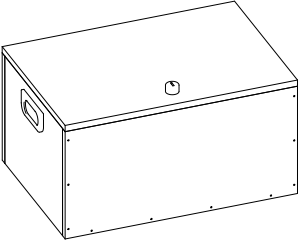
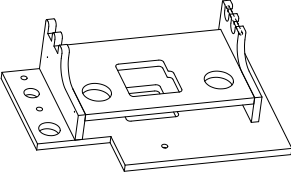
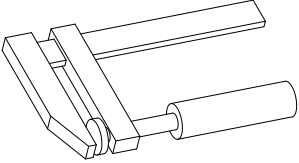
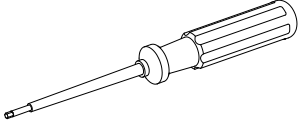
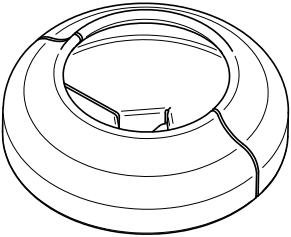
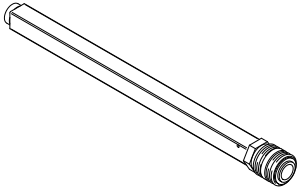


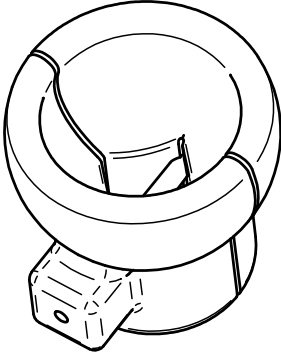
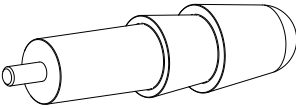
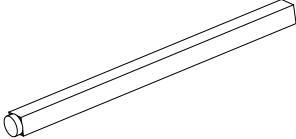
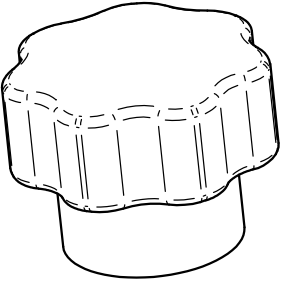
Figure 5: Storage box without the mobile rack (bottom of the box)

Table 1: Description of the parts

Wording	Figures	Descriptions
A, B		<i>Storage case</i> protecting the machine and its accessories. Dimensions 350 x 240 x 183 mm. Include a lock with two keys.
C		<i>Mobile Rack</i> for arranging the different parts inside the storage case.
D		<i>Clamp</i> to fix the <i>mast</i> to the frame of the bed or the <i>fixing plate</i> of the <i>mast</i> at the coffee table.
E		<i>Torx screwdriver</i> for tightening the adapters for dildos on the <i>Rod</i> .
F		<i>Realistic Cock Adapter</i> (optional) from the brand Pipedream Cock. This piece allows the attachment of the dildo on the <i>Rod</i> . It clips the suction cup of the dildo. Outside diameter = 80mm, height = 24mm and 50mm for the small diameter.
F'		<i>Pneumatic Adapter</i> (optional). For tightening dildos with a Pneumatic holder (The Pneumatic Adapter and the <i>Rod</i> are one part). the <i>Rod</i> .

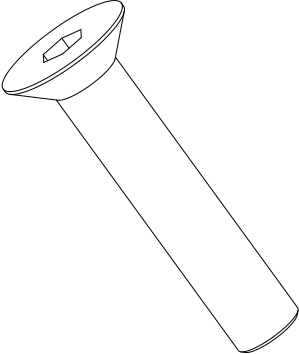
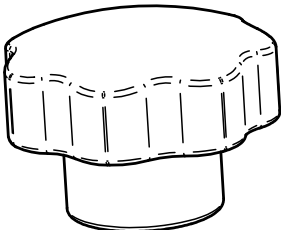
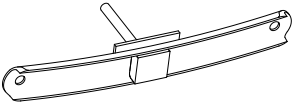
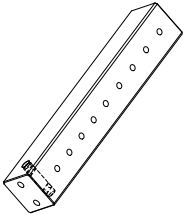
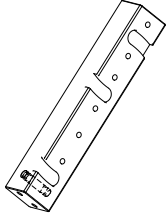
continued on the next page ...

... after

Wording	Figures	Descriptions
G		<p><i>Big balls Pyrex Glass Anal Adapter</i> (optional). This piece allows the attachment of the dildo on the <i>Rod</i>. It pinches the biggest ball of the dildo with an outside diameter of 37mm.</p>
G'		<p><i>Vac-U-Lock Adapter</i> (optional). This part allows the fixing of any "Vac-U-Lock" compatible dildo on the <i>Rod</i> (H).</p>
H		<p><i>Rod</i> (1 Rod included, the second is optional) This article is used to transmit the movement back and forth to the dildo. One end is inserted and secured by a strong permanent magnet in the LM42P. To release the Rod simply pull it out.</p>
I		<p><i>Small Clamping Knobs</i> (2 pieces included) These pieces are made to tight the fixation on the LM42P. One <i>Small Clamping Knobs</i> is placed above the <i>Mobile Rack</i> (C) on the left and the second is below the <i>Mobile Rack</i> (C) attaching the <i>Mast</i> (M) on the <i>Mobile Rack</i> (C). (See figures 4, page 5)</p>

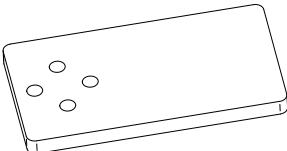
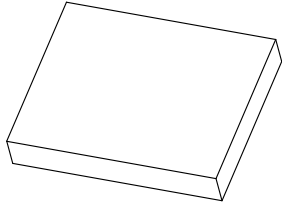
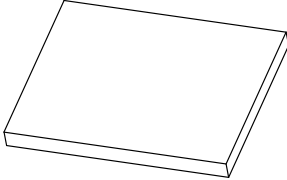
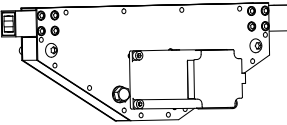
continued on the next page ...

... after

Wording	Figures	Descriptions
J		<i>Conical head screws M8 (J) (2 pieces included) for fixing the Mast fixing plate (N) to the Mast (M).</i>
K		<i>Big Clamping Knobs to tighten the LM42P on the Mast (M) through the Fixation (L).</i>
L		<i>Fixation to tighten the LM42P on the Mast (M). It is composed of 4 different pieces which are the main part made of carbone fiber, 1 bolt lenght 80mm, 1 plastic part which stop the bolt and 1 rubber plate of thickness 3mm.</i>
M		<i>Mast to fix the LM42P on a furniture or on the Building Plate. Which contains 9 holes to set the hight. Total lenght = 330mm.</i>
M'		<i>Mast-100V (optional) This mast allows a 100% vertical position of the machine. To fix the LM42P on a furniture or on the Building Plate. Which contains 26 holes to set the hight. Total lenght = 330mm.</i>

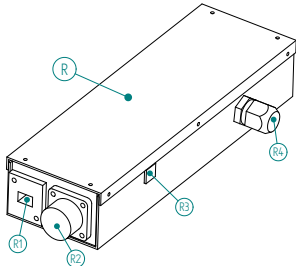
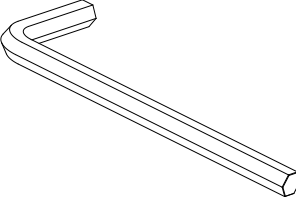
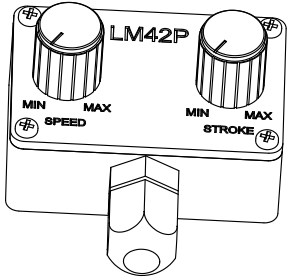
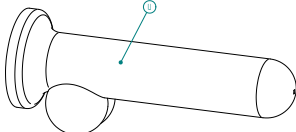
continued on the next page ...

... after

Wording	Figures	Descriptions
N		<p><i>Mast fixing plate</i>, this plate is to assemble the <i>Mast</i> (M) on a horizontal surface like a coffee table or a nightstand. It has a rough surface and a smooth one. Please flatten the rough face against the end of the <i>Mast</i> (M) and use the <i>Conical head screws M8</i> (J) to fasten it.</p>
O		<p><i>Small rubber plate</i>, this piece protects possible marks that could leave the screw of the <i>clamp</i> (D) against the furniture. It also absorbs vibrations thus reducing the noise. Moreover, its purpose reduces slip. Dimensions : 40x50x8mm.</p>
P		<p><i>Large rubber plate</i>, this piece protects possible marks that could leave the side surface of the <i>Mast</i> (M) or the <i>Mast fixing plate</i> (N) against the furniture. Dimensions : 80x100x8mm.</p>
Q		<p><i>LoveMachine42People (LM42P)</i>, it's the main machine.</p>

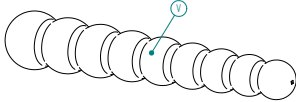
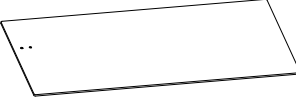
continued on the next page ...

... after

Wording	Figures	Descriptions
R	 A perspective drawing of a rectangular metal case. On the front-left face, there is an RJ45 port (R1), a 5-pin Amphenol connector (R2), and a USB port (R3). On the back-right face, there is a power cord with a plug (R4). A small blue square is also visible on the front face.	<p><i>Electric case</i> including the driver of the stepper-motor, the control module and the power supply. The case has :</p> <ul style="list-style-type: none">• a RJ45 connector (R1) to plug the <i>Remote control</i> (T) ;• a 5 pole Amphenol socket (R2) to plug the stepper motor ;• a USB socket for firmware update (R3) ;• a power cord (R4) with plug depending on the country (110 V - 220 V)
S	 A simple line drawing of an Allen key, showing its L-shaped handle and long shaft.	<p><i>Allen key</i>, tool for tightening the <i>conical head screw M8</i> (J).</p>
T	 A perspective drawing of a rectangular remote control. It has two rotary knobs on top. The left knob is labeled 'SPEED' with 'MIN' and 'MAX' markings. The right knob is labeled 'STROKE' with 'MIN' and 'MAX' markings. The model number 'LM42P' is printed in the center. There is a small notch at the bottom center.	<p><i>Remote control</i> consisting of two color rotary knobs respectively gilded for the speed of back and forth (SPEED) and silvered for the penetration depth (STROKE). It is also used to determine the side on which the machine will be used i.e. on the green side, the red side or both sides at the same time. This operation is done before the LM42P is connected to the main supply. (see section 5, p. 23)</p>
U	 A perspective drawing of a cylindrical sex toy. It has a wider, flared base and a narrower shaft. A small circular detail is visible on the side of the shaft.	<p><i>King Cock Plus Dual Density Realistic Cock</i> from the brand Pipedream (optional) in length 16 or 19cm. If other dildos have the same sucker, then these will be compatible with the <i>adapter</i> (F).</p>

continued on the next page ...

... after

Wording	Figures	Descriptions
V		<i>Big Balls Pyrex Glass Anal Dildo</i> (optional) Material : Pyrex, consists of 9 balls from a diameter of 28 to 37mm.
W		<i>Building Plate</i> (optional) for easy mounting of the LM42P. Material : "Résopal" very strong and does not absorb moisture. Dimensions 0.45 x 1 m thickness 6mm

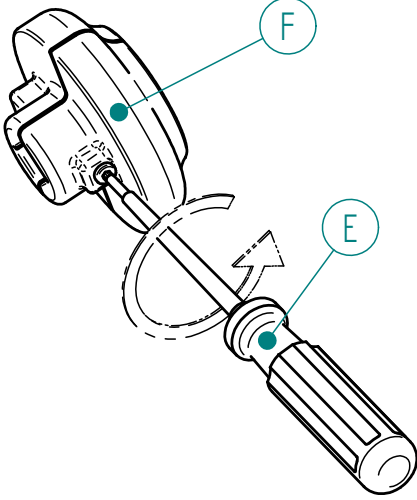
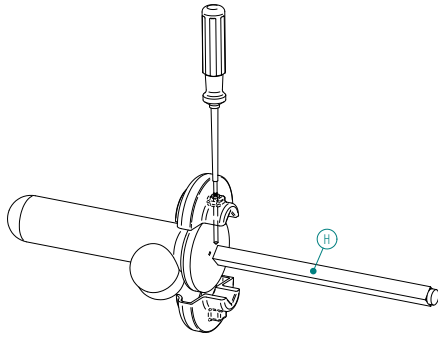
2 Fixing the Dildos

Watch also the following video <https://youtu.be/0F032JGaTik>

Note : if you have other dildos and these have the same suction cup as those proposed with the LM42P, you will be able to even use them with our adapters.

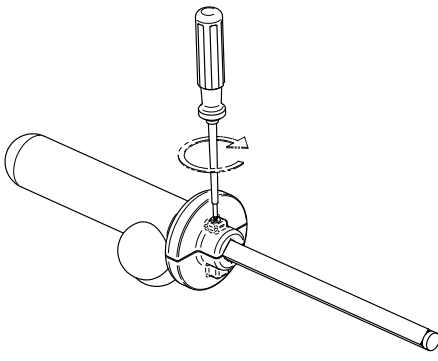
2.1 King Cock Plus Dual Density Realistic Cock (Pipedream)

Table 2: Mounting King Cock Dual Density Realistic Cock (Pipedream)

Steps	Figures	Descriptions
1		Using the <i>screwdriver</i> (E), unscrew the <i>Realistic Cock Adapter</i> (F).
2		Put in place the sucker of the dildo so that the axis of the balls is shifted 45 degrees from the axis of the screwdriver. Place the <i>Rod</i> (H) and push it against the screw.

continued on the next page ...

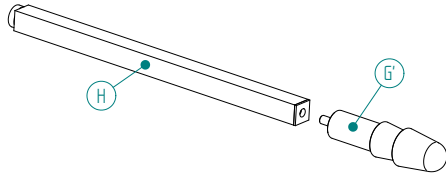
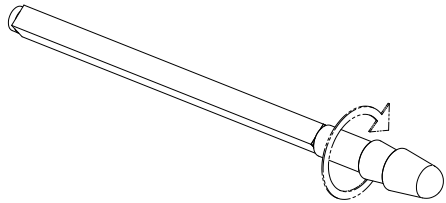
... after

Steps	Figures	Descriptions Steps
3		Plate all while moderately tightening the screw.

2.2 “Vac-U-Lock” compatible dildo

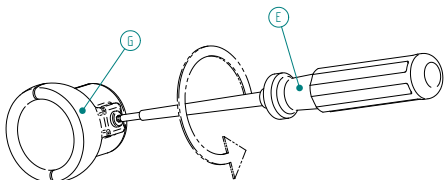
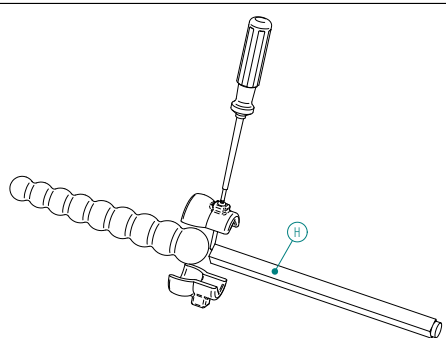
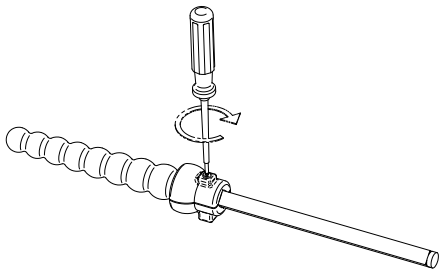
See also the following video : <https://youtu.be/DYTZQTTCCGD4>

Table 3: Mounting the Vac-U-Lock adapter on the Rod

Steps	Figures	Descriptions
1		Align the <i>Rod</i> (H) with the <i>Vac-U-Lock Adapter</i> (G').
2		Push the screw of the <i>Vac-U-Lock Adapter</i> (G') into the end of the <i>Rod</i> (H) while screwing it in by hand.

2.3 Dildo Big balls Pyrex Glass Anal

Table 4: Mounting Big balls Pyrex Glass Anal Dildo

Steps	Figures	Descriptions
1		Using the <i>screwdriver</i> (E), unscrew the <i>Big balls Pyrex Glass Anal Adapter</i> (G)
2		Put in place the Biggest ball of the dildo in the <i>Big balls Pyrex Glass Anal Adapter</i> also place the Rod (H) and push it against the screw.
3		Plate all while moderately tightening the screw.

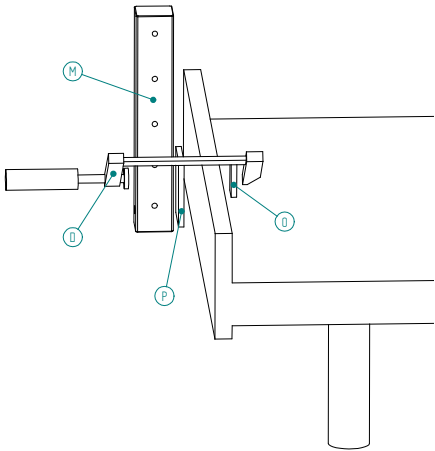
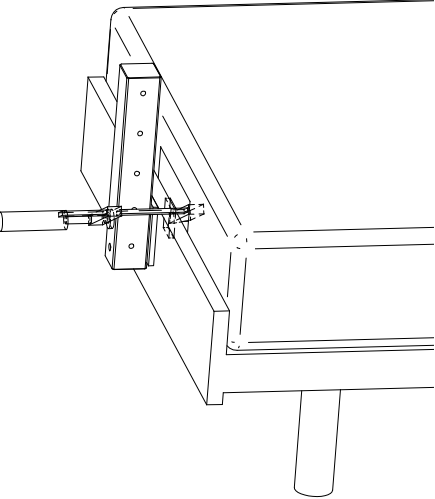
3 Fixing the Mast on different furnitures

3.1 On the frame of a bed

See also the following video : <https://youtu.be/L9o7A7o0UDc>

Note : if you own a bed with a domed frame on outside, you can put the *Mast* between the inside of the frame and the mattress.

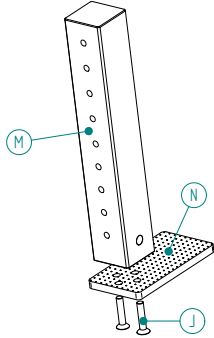
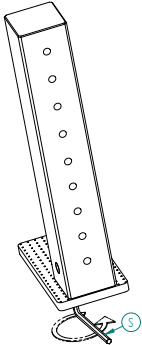
Table 5: Fixing the LM42P on the frame of a bed

Steps	Figures	Descriptions
1		Interlace the <i>Large rubber plate</i> (P) and the <i>Small rubber plate</i> (O), respectively outside and inside the bed frame.
2		Plate all while moderately tightening the <i>Clamp</i> (D). Correct the height if needed. Fixing the LM42P on the Mast → see point 4, p. 21

3.2 On the coffee table

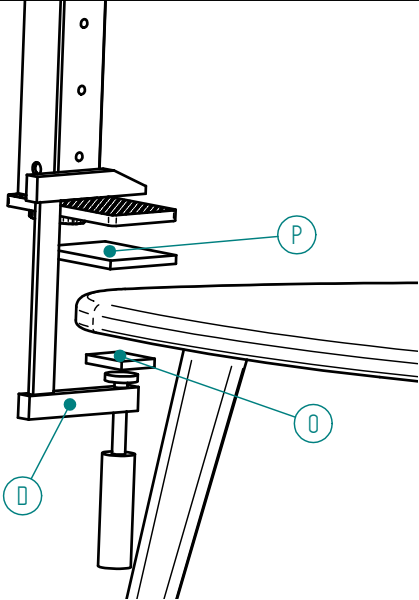
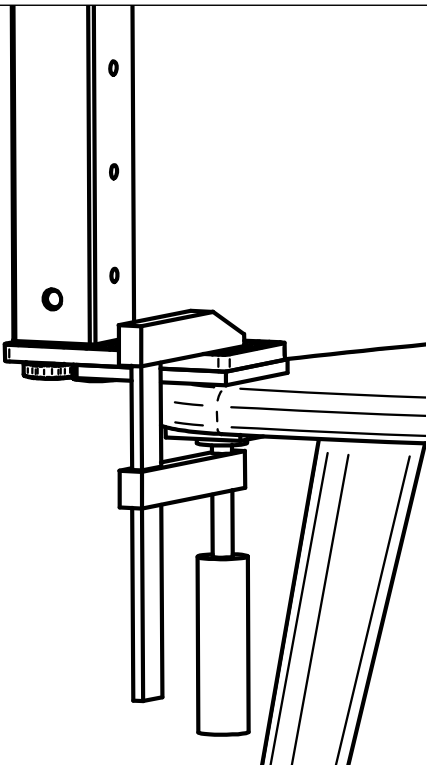
See also the following video : <https://youtu.be/CRAJk8QPJsY>

Table 6: Fixing the LM42P on the coffee table

Steps	Figures	Descriptions
1		Put the end of the <i>Mast</i> (M) against the rough side of the <i>Mast fixing plate</i> (N). Insert both <i>Conical head screws M8</i> (J) and screw them a bit by hand.
2		Tighten both <i>Conical head screws M8</i> (J) with the <i>Allen key</i> (S).

continued on the next page ...

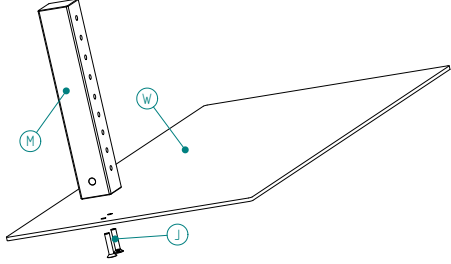
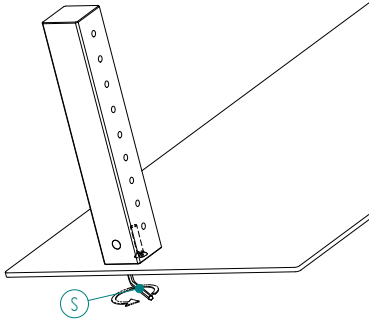
... after

Steps	Figures	Descriptions Steps
3	 A technical line drawing showing a vertical mast with a horizontal coffee table arm attached. A large rubber plate (P) is positioned above the table, and a smaller rubber plate (O) is positioned below it. A clamp (D) is shown on the mast, ready to be tightened. The diagram is labeled with '3' on the left.	Interlace the <i>Large rubber plate</i> (P) and the <i>Small rubber plate</i> (O), respectively above the coffee table and below this one.
4	 A technical line drawing showing the same assembly as in step 3, but now the clamp (D) is fully tightened around the mast. The rubber plates (P and O) are now firmly in place. The diagram is labeled with '4' on the left.	Plate all while moderately tightening the <i>Clamp</i> (D). Fixing the LM42P on the <i>Mast</i> → see point 4, p. 21

3.3 On the Building-Plate

See also the following video : <https://youtu.be/rMREjijDICK>

Table 7: Fixing the Mast on the Buiding-Plate

Steps	Figures	Descriptions
1		Set up the <i>Mast</i> (M) on the <i>Building-Plate</i> (W) so that the chamfers of the latter are underneath. Insert both <i>Conical head screws M8</i> (J) screw them a bit by hands.
2		Tighten the two <i>Conical head screws M8</i> (J) using the <i>Allen key</i> (S). Fixing the LM42P on the <i>Mast</i> (M) → see section 4, p. 21.

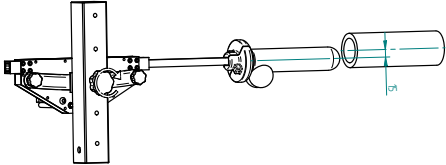
4 Installation and adjustment of the LM42P on the Mast

Table 8: Installation and adjustment of the LM42P on the Mast

Steps	Figures	Descriptions
1		<p>Set up the <i>Fixation</i> (L) and both <i>Small Clamping Knobs</i> (I) on the two screws protruding from the <i>LM42P</i> (Q). Be careful that the curved side points down. (see figure in point 4)</p>
2		<p>Plate and tighten both <i>Small Clamping Knobs</i> (I).</p>
3		<p>After attaching the <i>Mast</i> (M) to a furniture (as describe in 3), choose the correct height respecting the instruction of the next point (4). Insert the screw and pre-tighten the <i>Big Clamping Knobs</i> (K) .</p>

continued on the next page ...

... after

Steps	Figures	Descriptions Steps
4		Tighten the <i>Big Clamping Knobs</i> (K) making sure that the penetration hole is between 1 to 2cm higher than the dildo. Adjust the orientation to your liking.

5 Start up

Watch also the very useful video here <https://youtu.be/VgY4AlmjkQ>

!! ATTENTION !!

TO BE DONE BEFORE EACH CONNECTION TO THE MAINS SUPPLY (homing)

1. Assemble the machine (see above in this manual) ;
2. **IMPORTANT** : Do not connect the machine to the mains supply ;
3. Insert deeply the *Rod* (H) into the machine **as far as it will go** on the side where you will position yourself.
If the machine is used on both sides (by two people), then insert both *Rods* and push deeply the *Rod* on the **green**¹ side **as far as it will go**.
4. **IMPORTANT** :
 - If the machine is used on the **green** side → turn **both** remote control knobs to the **MIN** position.
 - If the machine is used on the **red** side → turn **both** remote control knobs to the **MAX** position.²
 - If the machine is used on **both** sides → adjust the two buttons on the remote control to the **middle**.
5. Connect the plug to the mains supply ;
6. Turn the two buttons on the remote control to the MIN (if not already done) and enjoy ! ;-)

Important note : Whenever you disconnect - reconnect the machine, repeat steps 1 to 6.

¹Small round stickers in green or red on both sides of the machine.

²When connecting the plug to the mains (point 5), the machine will not be started at MAX. It will be necessary to turn the two knobs on the remote control at the MIN so that it can start (point 6).

6 Vibro activation

To activate the Vibration mode, the stroke must be set to minimum and increase the speed until it vibrates. See that video https://youtu.be/Lw4pd_5qtik

7 Storage after use

Because it is a bit tricky at the beginning to tidy up the machine after use, this video will help you to put back the elements of the LoveMachine42People in the *Storage case* (A).

<https://youtu.be/YOK-C04HSqg>

8 Troubleshooting

- if Rod magnet falls off³, check that the penetration hole is about 1 to 3cm above the *Rod* (H) (see figure in point 4, section 4, p. 21) ;
- if the machine doesn't start after making the connection, check that both rotary buttons are turned to the MIN or MAX position (depending on which side of the machine you are using) ;
- if the machine locks up by turning the stroke knob too quickly, this is normal. The machine has been programmed this way for safety reasons. Indeed, it can be dangerous (risk of injury) if the penetration depth is too violent. Solution: do not turn the Stroke knob too quickly. If the machine has jammed, the commissioning procedure must be repeated.

9 Various useful Videos

Several videos were made on the assembly of the LM42P and on the use of the machine. The following link points to the Youtube channel https://www.youtube.com/channel/UCIELijjBCSa6D2mmk8Q6Uvg?view_as=subscriber Please subscribe to the channel to be informed of the latest news.

9.1 Unboxing

This video shows the elements placed in the storage wooden box of the LoveMachine42People, these elements are taken out from the storage box.

<https://youtu.be/aEuKuN9voX0>

³This is normal and allows to limit the lateral forces on the bearings of the machine.

9.2 Fixing The Dildos

9.2.1 "Big balls Pyrex Glass Anal dildo" and "King Cock Plus Dual Density Realistic Cock"

This video shows how to mount the *Big balls Pyrex Glass Anal Dildo* (V) and the *King Cock Plus Dual Density Realistic Cock* (U) on the *Rod* (H).

<https://youtu.be/0F032JGaTik>

9.2.2 Vac-U-Lock Adapter

This video shows how to fix *Vac U Lock Adapter* (G') on the *Rod* (H).

<https://youtu.be/DYTZQTTCGD4>

9.3 How To Mount On a Bed Frame

This video shows how to mount the machine on a bed frame.

<https://youtu.be/L9o7A7o0UDc>

9.4 How To Mount On a Coffee Table

This video shows the Setup of the *LoveMachine42People* on a coffee table. It shows also how fast and easy it is to change the dildos. Then it shows the dildos in action!

<https://youtu.be/CRaJk8QPJsY>

9.5 Starting Up

This video shows what to do before plug in the machine to the main supply.

<https://youtu.be/VgY4A1mjkgQ>

10 Safety notice

- Never use the machine with a broken electrical cable ;
- Before use always check if the dildo adapter are not broken ;
- Keep away from moving metal parts. Don't put your head near the dildos ;
- Never use the machine in a wet environment ;

- Never put your finger inside the machine ;
- Do not try to repair the machine yourself (risk of electrocution).