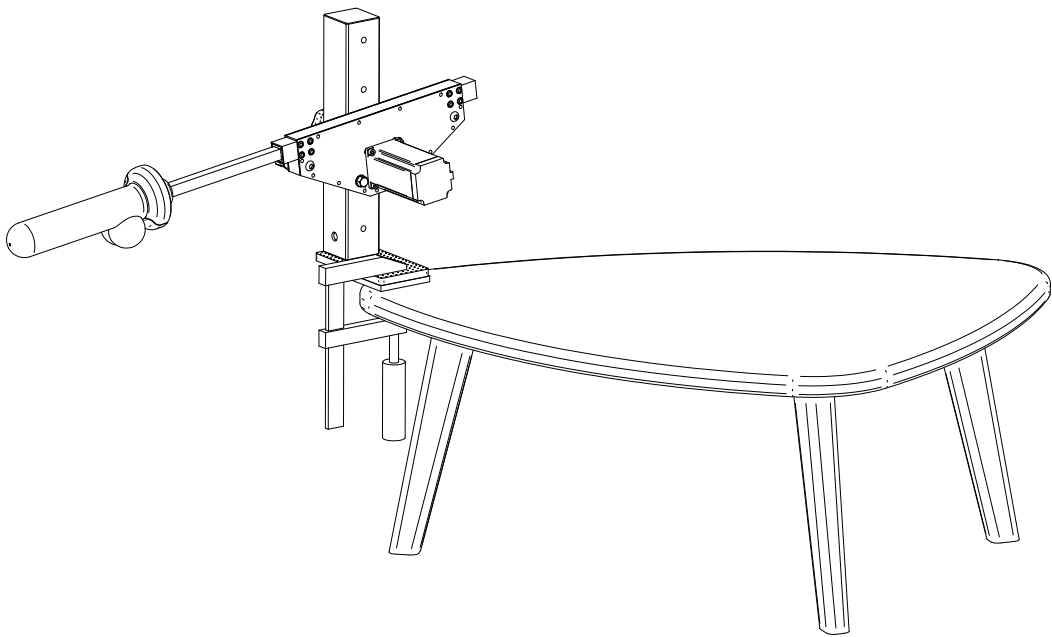


User Manual

LoveMachine42P (LM42P)



Author : LM42P
Date : August 28, 2018

COPYRIGHT ALL RIGHTS RESERVED

Contents

1	Description of the content	3
2	Mounting dildos on their adapter	12
2.1	King Cock Plus Dual Density Realistic Cock (Pipedream) . . .	12
2.2	Dildo Big balls Pyrex Glass Anal	14
2.3	Milk Bottle dildo (for men)	15
3	Fixing the LM42P on furniture	16
3.1	On the frame of a bed	16
3.2	On the coffee table	17
4	Installation and adjustment of the LM42P on the mast	20
5	Start up	22
6	Troubleshooting	22
7	Set up of the LM42P (video on Youtube)	22

1 Description of the content

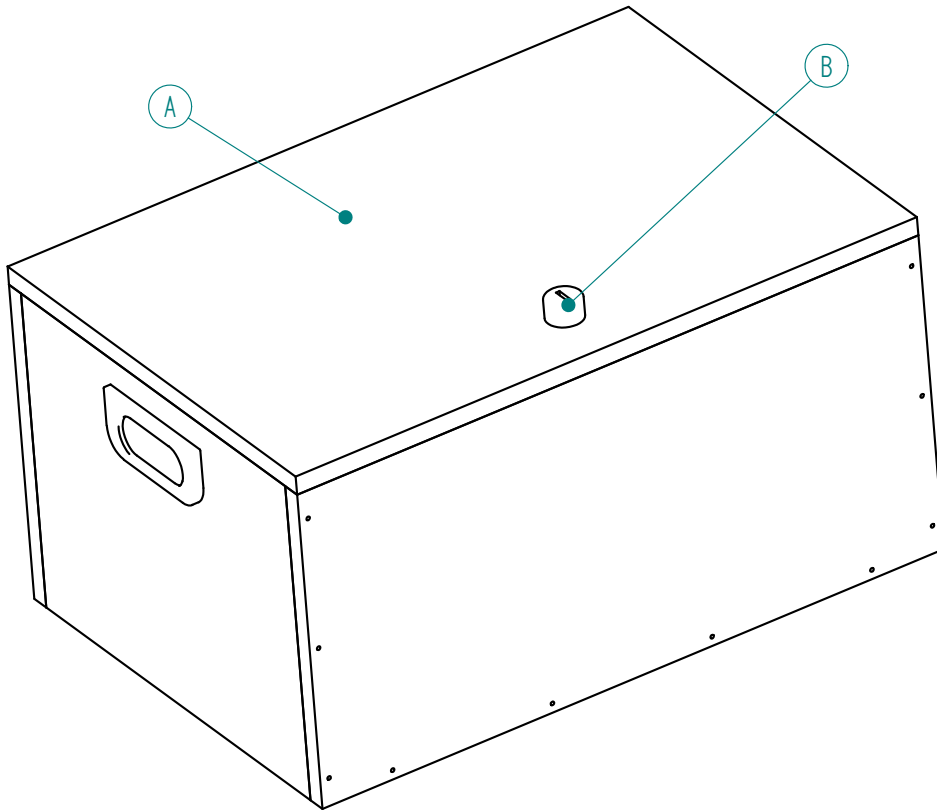


Figure 1: Wooden storage box

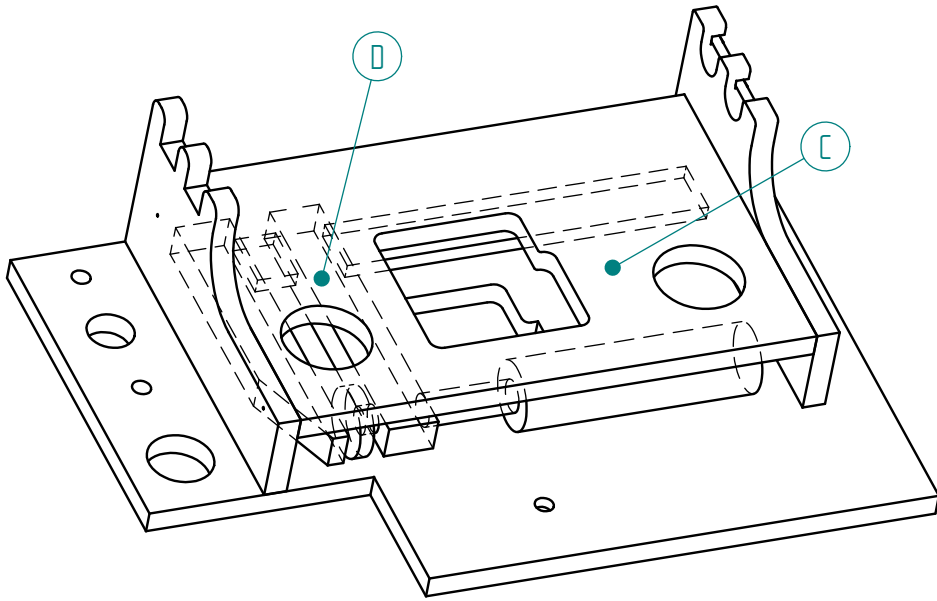


Figure 2: Storage mobile rack and location of the clamp

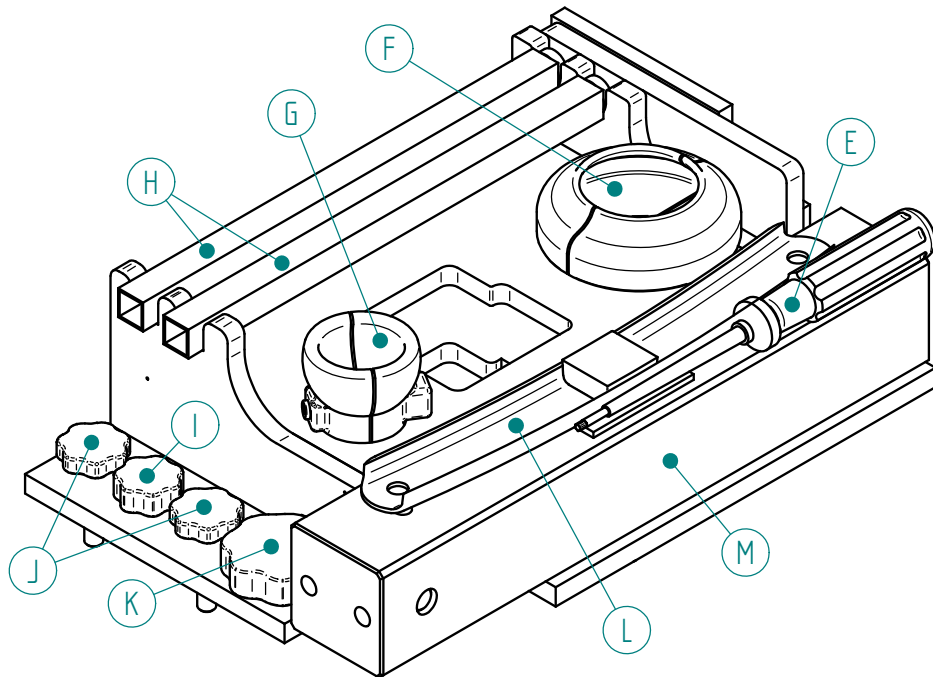


Figure 3: Location of the parts on the mobile rack

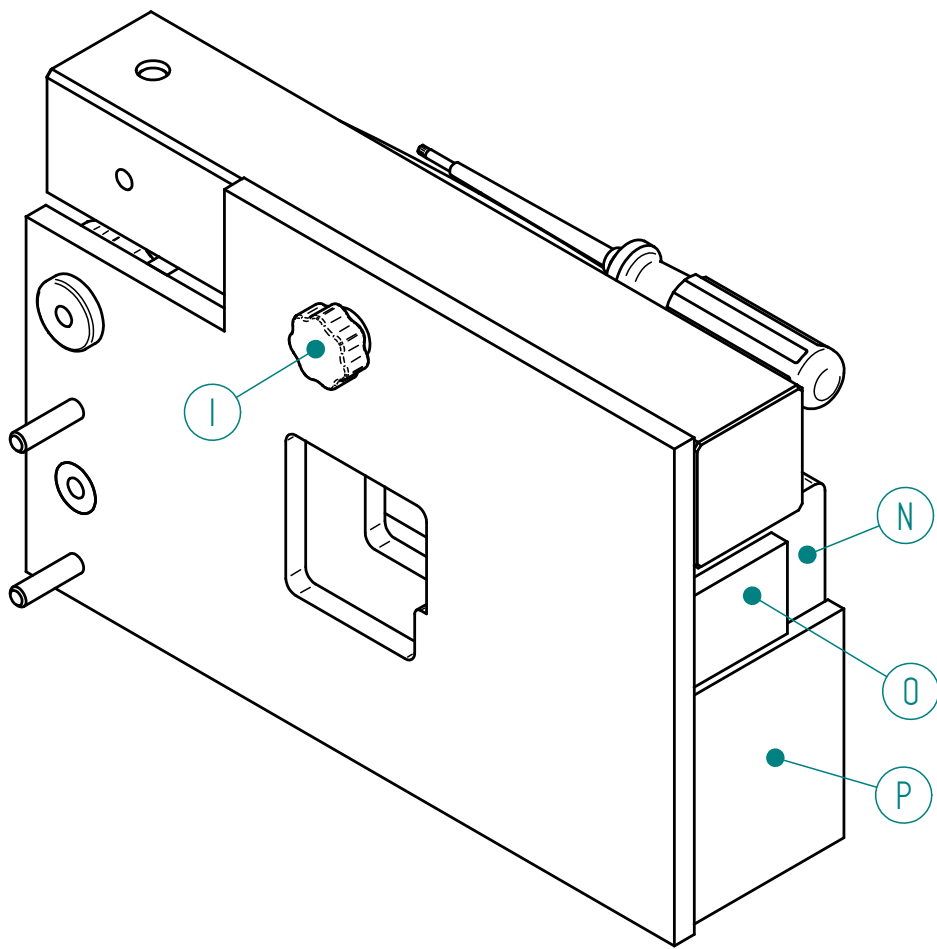


Figure 4: Location of the parts on the mobile rack (bottom view)

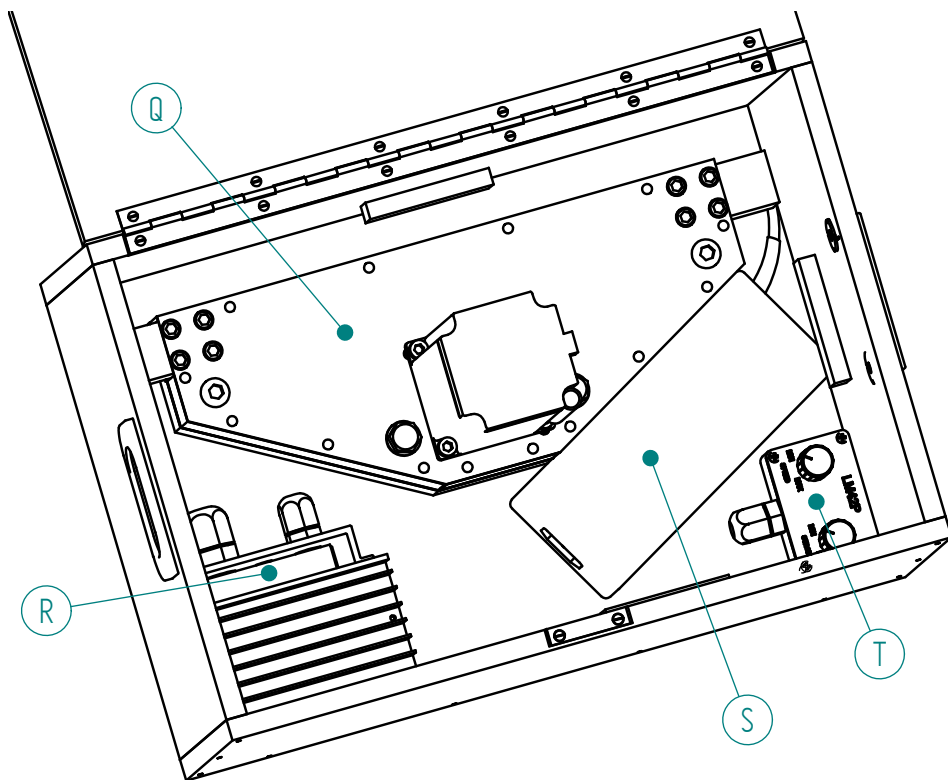
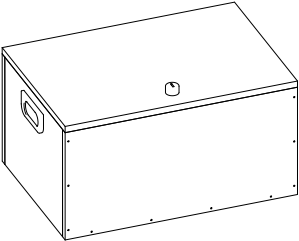
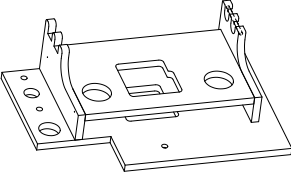
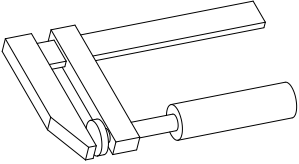
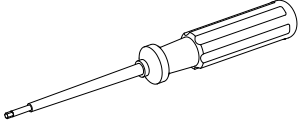
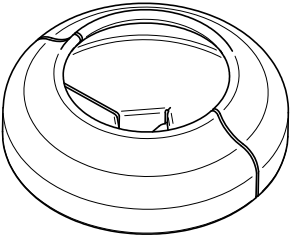
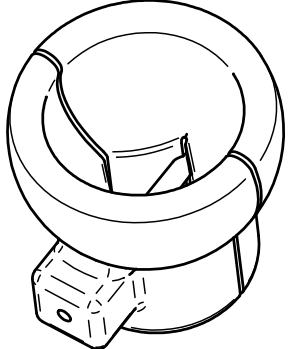


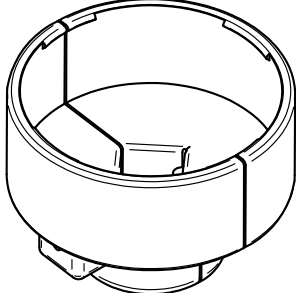
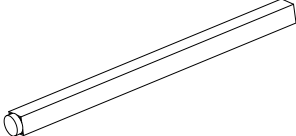
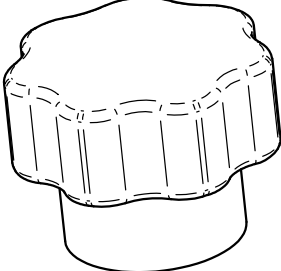
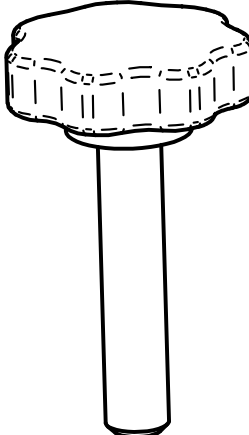
Figure 5: Storage box without the mobile rack (bottom of the box)

Table 1: Description of the parts

Wording	Figures	Descriptions
A, B		<i>Storage case</i> protecting the machine and its accessories. Dimensions 350 x 240 x 183 mm. Include a lock with two keys.
C		<i>Mobile Rack</i> it's for arranging the different parts inside the storage case.
D		<i>Clamp</i> to fix the <i>mast</i> to the frame of the bed or the <i>fixing plate</i> of the <i>mast</i> at the coffee table.
E		<i>Torx screwdriver</i> for tightening the adapters for dildos on the <i>shaft</i> .
F		<i>Realistic Cock Adapter</i> (optional) from the brand Pipedream Cock. This piece allows the attachment of the dildo on the <i>shaft</i> . It clips the suction cup of the dildo. Outside diameter = 80mm, height = 24mm and 50mm for the small diameter.
G		<i>Big balls Pyrex Glass Anal Adapter</i> (optional). This piece allows the attachment of the dildo on the <i>shaft</i> . It pinches the biggest ball of the dildo with an outside diameter of 37mm.

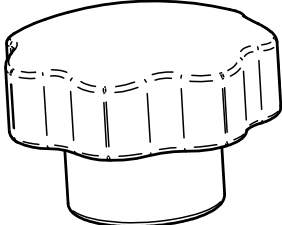
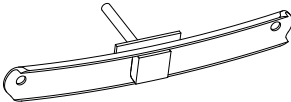
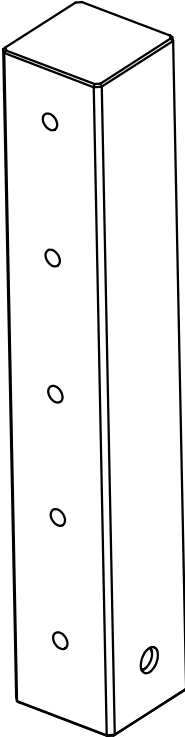
continued on the next page ...

... after

Wording	Figures	Descriptions
G'		<p><i>Milk Bottle Adapter</i> (optional) (men's dildo). This piece allows the attachment of the dildo on the <i>shaft</i>.</p>
H		<p><i>Shaft</i> (1 shaft include, the second is optional) This article is used to transmit the movement back and forth to the dildo. One end is inserted and secured by a strong permanent magnet in the LM42P. To release the shaft simply pull it out.</p>
I		<p><i>Small Clamping Knobs</i> (2 pieces included) These pieces are made to tight the fixation on the LM42P. One <i>Small Clamping Knobs</i> is placed above the <i>Mobile Rack</i> on the left and the second is below the <i>Mobile Rack</i>. (See figures 4, page 5)</p>
J		<p><i>Clamping Knob to fix the mast</i> (2 pieces included) on the <i>Mast fixing plate</i> (N).</p>

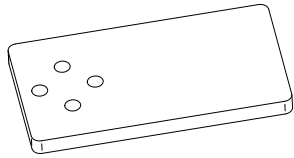
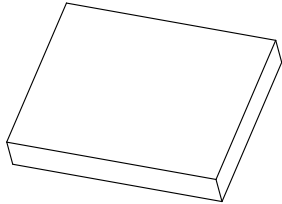
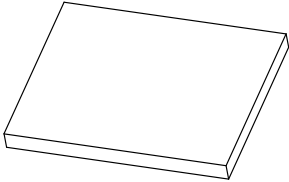
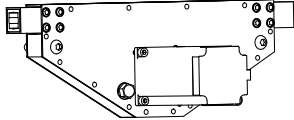
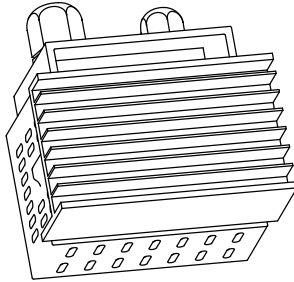
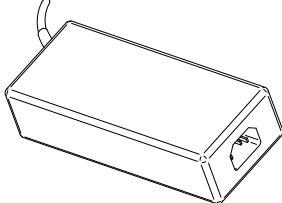
continued on the next page ...

... after

Wording	Figures	Descriptions
K		<p><i>Big Clamping Knobs</i> To tighten the <i>LM42P</i> on the <i>mast</i> through the <i>Fixation</i>.</p>
L		<p><i>Fixation</i> To tighten the <i>LM42P</i> on the <i>mast</i>. It is composed of 4 different pieces which are the main part made of carbone fiber, 1 bolt lenght 80mm, 1 plastic part which stop the bolt and 1 rubber plate of thickness 3mm.</p>
M		<p><i>Mast</i> to fix the <i>LM42P</i> on a furniture. Which contains 5 holes to set the hight. Total lenght = 330mm.</p>

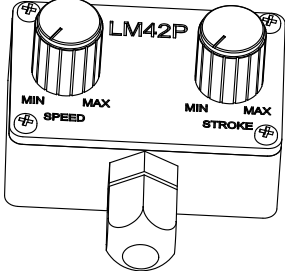
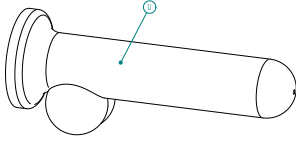
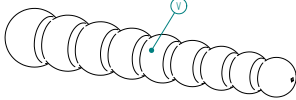
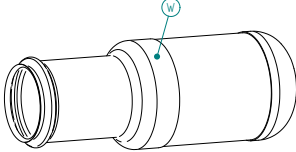
continued on the next page ...

... after

Wording	Figures	Descriptions
N		<i>Mast fixing plate</i> , this plate is to assemble the <i>Mast</i> on a horizontal surface like a coffee table or a nightstand. She has a rough surface and a smooth one. Please flatten the rough face against the end of the mast.
O		<i>Small rubber plate</i> , this piece protects possible marks that could leave the screw of the clamp against the furniture. It also absorbs vibrations thus reducing the noise. Moreover, its purpose reduces slip. Dimensions : 40x50x8mm.
P		<i>Large rubber plate</i> , this piece protects possible marks that could leave the side surface of the <i>mast</i> or the <i>mast fixing plate</i> against the furniture. Dimensions : 80x100x8mm.
Q		<i>LoveMachine42People (LM42P)</i> , it's the main machine.
R		<i>Electric case</i> including the driver of the stepper-motor and the control module.
S		<i>Power supply</i> 220V/24V, 6A.

continued on the next page ...

... after

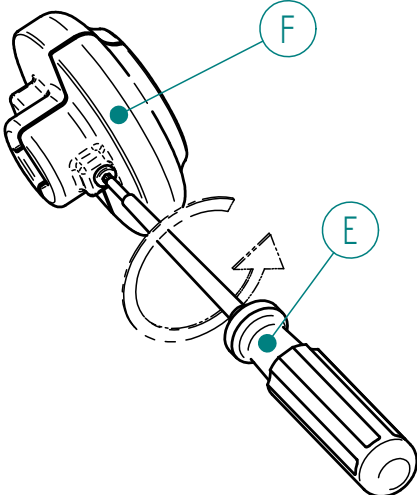
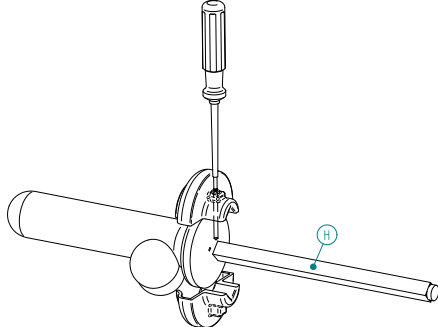
Wording	Figures	Descriptions
T		<p><i>Remote control</i> consisting of two color rotary knobs respectively gilded for the speed of back and forth (SPEED) and silvered for the penetration depth (STROKE)</p>
U		<p><i>King Cock Plus Dual Density Realistic Cock</i> from the brand Pipedream (optional) in length 16 or 19cm. If other dildos have the same sucker, then these will be compatible with the <i>adapter</i> (F).</p>
V		<p><i>Big Balls Pyrex Glass Anal Dildo</i> (optional) Material : Pyrex, consists of 9 balls from a diameter of 28 to 37mm.</p>
W		<p><i>Milk Bottle</i> (optional) Material : plastic food length =16cm.</p>

2 Mounting dildos on their adapter

Note : if you have other dildos and these have the same base as those proposed with the LM42P, you will be able to even use them with our adapters.

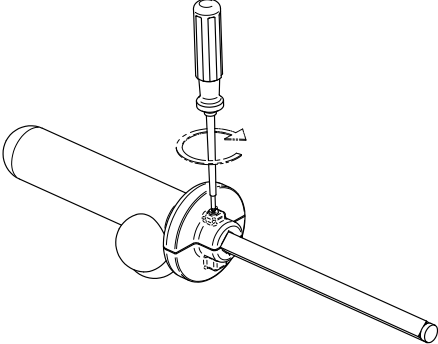
2.1 King Cock Plus Dual Density Realistic Cock (Pipedream)

Table 2: Mounting King Cock Dual Density Realistic Cock (Pipedream)

Steps	Figures	Descriptions
1		Using the <i>screwdriver</i> (E), unscrew the <i>Realistic Cock Adapter</i> (F).
2		Put in place the sucker of the dildo so that the axis of the balls is shifted 45 degrees from the axis of the screwdriver. Place the <i>shaft</i> (H) and push it against the screw.

continued on the next page ...

... after

Steps	Figures	Descriptions Steps
3		Plate all while moderately tightening the screw.

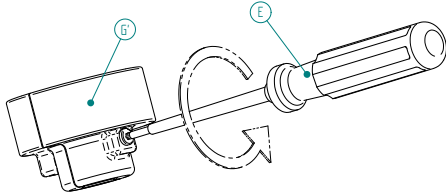
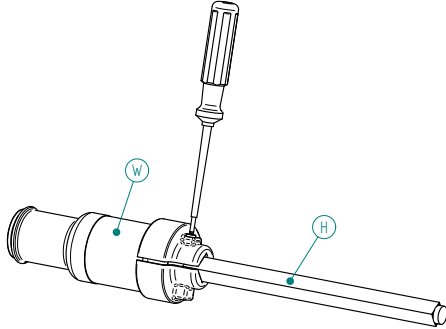
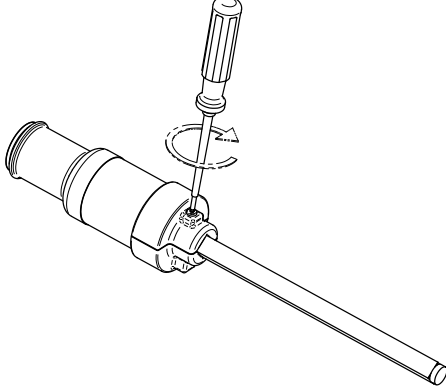
2.2 Dildo Big balls Pyrex Glass Anal

Table 3: Mounting Big balls Pyrex Glass Anal Dildo

Steps	Figures	Descriptions
1		Using the <i>screwdriver</i> (E), unscrew the <i>Big balls Pyrex Glass Anal Adapter</i> (G)
2		Put in place the Biggest ball of the dildo in the <i>Big balls Pyrex Glass Anal Adapter</i> also place the <i>shaft</i> (H) and push it against the screw.
3		Plate all while moderately tightening the screw.

2.3 Milk Bottle dildo (for men)

Table 4: Montage Dildo Milk Bottle

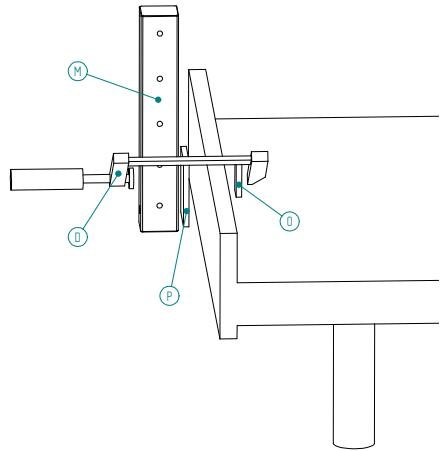
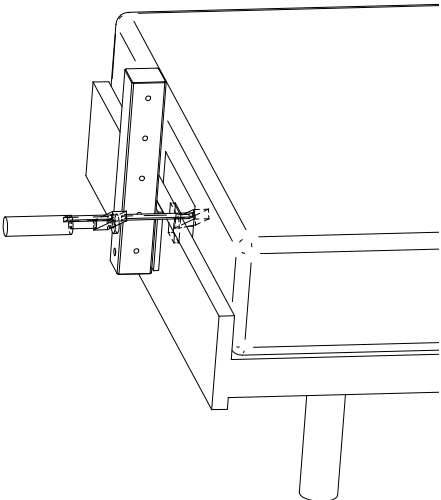
Steps	Figures	Descriptions
1		Using the <i>screwdriver</i> (E), unscrew the <i>Milk Bottle Adapter</i> (G') 3 to 5mm.
2		Put in place the <i>Milk Bottle</i> (G') also place the <i>shaft</i> (H) and push it against the screw.
3		Plate all while moderately tightening the screw.

3 Fixing the LM42P on furniture

3.1 On the frame of a bed

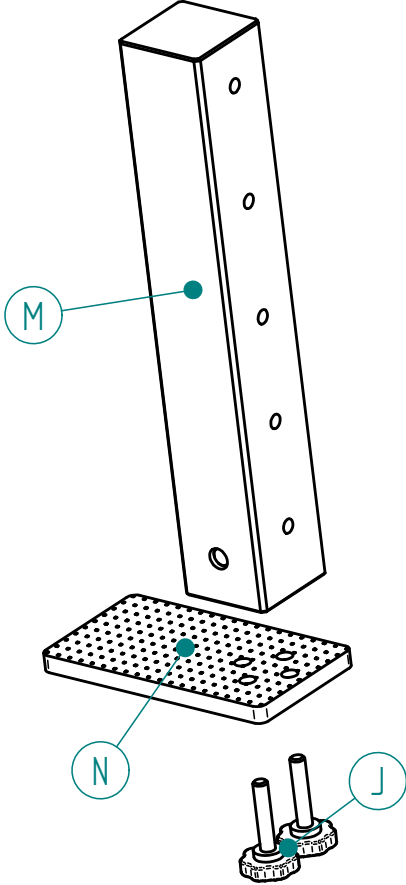
Note : if you own a bed with a domed frame on outside, you can put the *matt* between the inside of the frame and the mattress.

Table 5: Fixing the LM42P on the frame of a bed

Steps	Figures	Descriptions
1		Interlace the <i>Large rubber plate</i> (P) and the <i>Small rubber plate</i> (O), respectively outside and inside the bed frame.
2		Plate all while moderately tightening the <i>Clamp</i> (D). Correct the height if needed. Fixing the LM42P on the mast → see point 4, p. 20

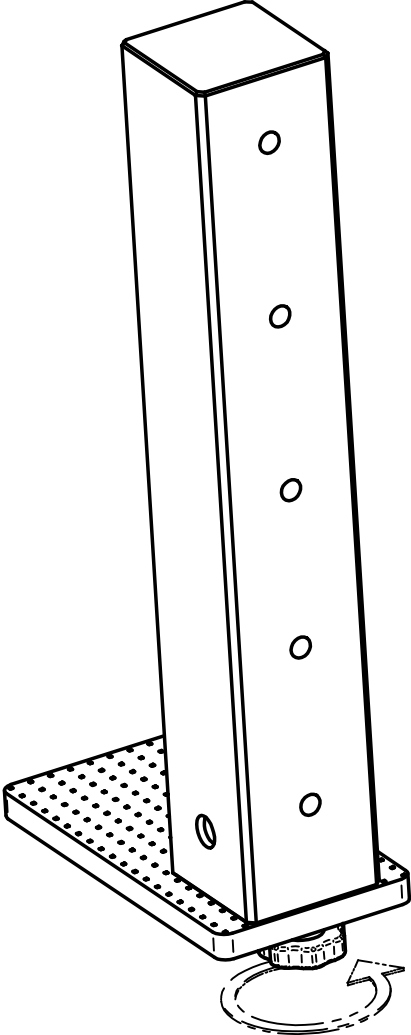
3.2 On the coffee table

Table 6: Fixing the LM42P on the coffee table

Steps	Figures	Descriptions
1		Put the end of the <i>Mast</i> (M) against the rough side of the <i>Mast fixing plate</i> (N). Insert both <i>Clamping Knob</i> to fix the mast (J)

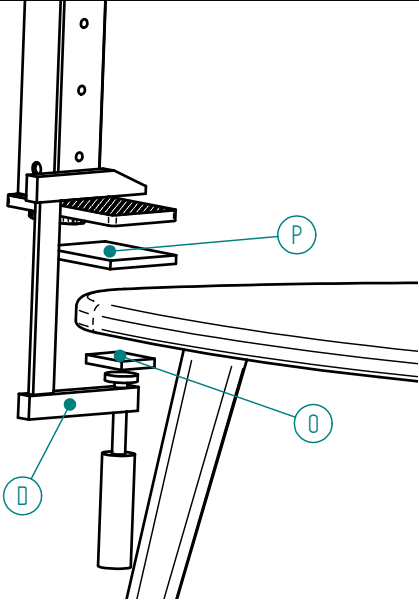
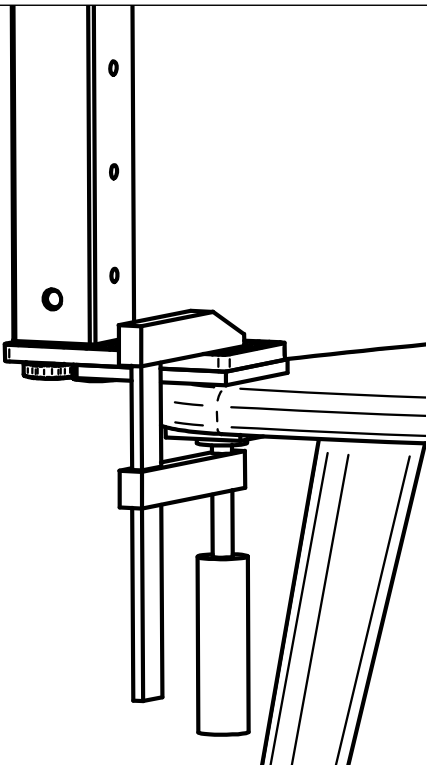
continued on the next page ...

... after

Steps	Figures	Descriptions Steps
2		Tighten both <i>Clamping Knob</i> to fix the mast.

continued on the next page ...

... after

Steps	Figures	Descriptions Steps
3		Interlace the <i>Large rubber plate</i> (P) and the <i>Small rubber plate</i> (O), respectively above the coffee table and below this one.
4		Plate all while moderately tightening the <i>Clamp</i> (D). Fixing the LM42P on the <i>mast</i> → see point 4, p. 20

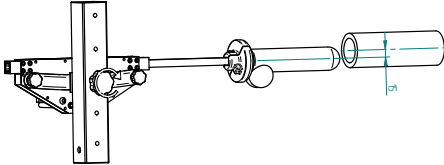
4 Installation and adjustment of the LM42P on the mast

Table 7: Installation and adjustment of the LM42P on the mast

Steps	Figures	Descriptions
1		<p>Set up the <i>Fixation</i> (L) and both <i>Small Clamping Knobs</i> (I) on the two screws protruding from the <i>LM42P</i> (Q). Be careful that the curved side points down. (see figure in point 4)</p>
2		<p>Plate and tighten both <i>Small Clamping Knobs</i> (I).</p>
3		<p>After attaching the <i>Mast</i> (M) to a furniture (as describe in 3), choose the correct height respecting the instruction of the next point (4). Insert the screw and pre-tighten the <i>Big Clamping Knobs</i> (K) .</p>

continued on the next page ...

... after

Steps	Figures	Descriptions Steps
4		Tighten the <i>Big Clamping Knobs</i> (K) making sure that the penetration hole is between 1 to 2cm higher than the dildo. Adjust the orientation to your liking.

5 Start up

1. put at minimum the two rotary knobs of the *Remote control* (T) by turning them counterclockwise up to the stop ;
2. connect the plug of the *Power supply* (S) ;
3. connect the plug to the *Electric case* (R) ;
4. wait approx. 10s for the initialisation of the machine¹ ;
5. gradually increase the speed and the penetration depth (stroke) to your liking. Enable the Vibro mode by putting the stroke at minimum and go up with the Speed rotary button until it's vibrating.

6 Troubleshooting

- if shaft magnet falls off², check that the penetration hole is about 1 to 3cm above the *shaft* (H) (see figure in point 4, section 4, p. 20) ;
- if the machine doesn't start after making the connection, check that the yellow rotary button (SPEED) is turned to the minimum (to the left).

7 Set up of the LM42P (video on Youtube)

<https://youtu.be/D34k9Bdpg1U>

¹it's normal that's a bit noisy

²This is normal and allows to limit the lateral forces on the bearings of the machine.